

Features

- ▶ Recessed and flush mount panels.
- ▶ Suitable for washdown.
- ▶ Service for systems including WFI, CIP, Clean Steam, Process Gases, etc.
- ▶ Service lockout options for Core or Clean (cGMP) side.
- ▶ Completely customizable panel configurations.
- ▶ Reduce on-site cost, labor, and risk.

Technical Data

Made to Customer Specifications

Ordering Information

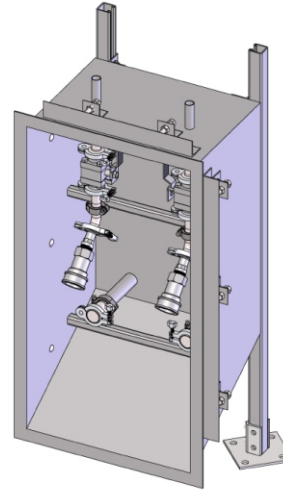
Utility Services Available

- Process Vent
- Pharmaceutical Air
- Nitrogen
- Oxygen
- Carbon Dioxide
- Clean-in-Place Supply
- Clean-in-Place Return
- Compressed Air
- Plant Medium Pressure Steam
- Plant Medium Pressure Condensate
- Chilled Water Return
- Chilled Water Supply
- Ambient Water for Injection
- Hot Water for Injection
- Laboratory Hot Water
- USP Pure Steam
- Biological Waste

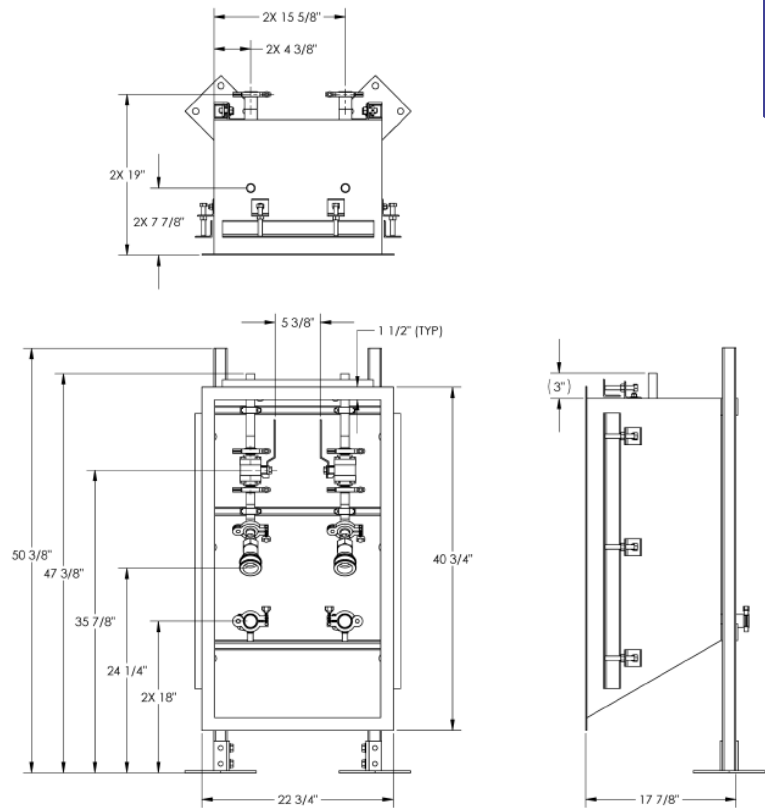
Panel Material

- 304 Stainless Steel (Brushed)
- Aluminum (Powder Coated)

WP Series Panel Washdown Wall Panel



Dimensions



Note Product availability and specifications contained herein are subject to change without notice. Consult factory for potential revisions.

 **BioPharm Engineered Systems**
A Critical Process Systems Group Company

200 Bulfinch Drive, Andover, MA 01810

+1 978.691.2737

F +1 978.691.2733

| www.bpesys.com

CONFIDENTIAL

REV: CPS 03032016